

## C20060P SERIES



### SIZE :

202\*202\*60mm

### CONSTRUCTION :

- Die-cast aluminum housing
- Glass fiber reinforced plastic:  
Impeller are UL 94V-0 rating
- Impedance protected
- Leader wire or terminal is available

### OPERATING TEMPERATURE :

Ball bearing - 30°C to +75°C

\*Minimum ambient temperature -15°C , admissible for a short time at -30°C ; without reaching dew point.

Sleeve bearing - 10°C to +60°C

### WEIGHT :

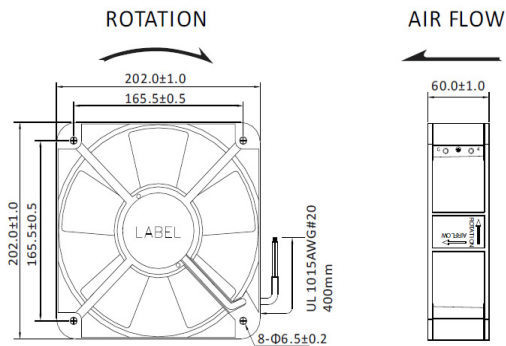
1600 grams

## Specifications

Specifications are subject to change without notice

MODEL NO.	BEARING	RATED VOLTAGE	FREQUENCY	MAX. RATED CURRENT	MAX. INPUT POWER	SPEED	MAX. AIR FLOW	MAX. AIR PRESSURE	NOISE
		VAC	Hz	mA	W	R.P.M.	CFM	IN H <sub>2</sub> O	dB-A
CB20060 -115HP	Ball	115	50/60	760/650	77/55	2300/2500	335/350	0.67/0.75	63/68
CS20060 -115HP	Sleeve								
CB20060 -230HP	Ball	230	50/60	380/320	77/55	2300/2500	335/350	0.67/0.75	63/68
CS20060 -230HP	Sleeve								

### Dimensions (mm)



### Performance Curve

