

## C12038P SERIES



### SIZE :

120x120x38mm (4.72"x4.72"x1.50")

### CONSTRUCTION :

- Die-cast aluminum housing
- Glass fiber reinforced plastic:  
Impeller are UL 94V-0 rating
- Impedance protected
- Leader wire or terminal is available

### OPERATING TEMPERATURE :

Ball bearing - 30°C to +75°C

\*Minimum ambient temperature -15°C, admissible for a short time at -30°C ; without reaching dew point.

Sleeve bearing - 10°C to +60°C

### WEIGHT :

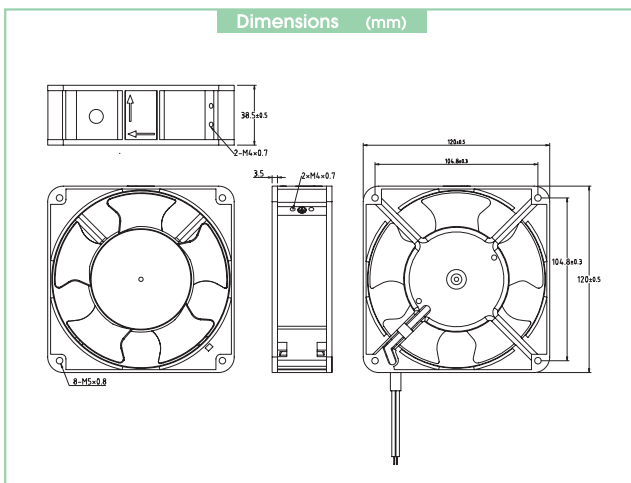
500 grams

## Specifications

Specifications are subject to change without notice

MODEL NO.	BEARING	RATED VOLTAGE	FREQUENCY	MAX. RATED CURRENT	MAX. INPUT POWER	SPEED	MAX. AIR FLOW		MAX. AIR PRESSURE		NOISE
		VAC	Hz	mA	W	R.P.M.	m <sup>3</sup> /min	CFM	mmH <sub>2</sub> O	IN H <sub>2</sub> O	
CB12038-115MP	Ball	115	50/60	130/120	11/10	2350/2400	2.01/2.04	71/72	4.70/4.80	0.18/0.19	35/39
CS12038-115MP	Sleeve										
CB12038-230MP	Ball	230	50/60	108/107	11/10	2350/2400	2.01/2.04	71/72	4.70/4.80	0.18/0.19	35/39
CS12038-230MP	Sleeve										
CB12038-115HP	Ball	115	50/60	220/200	18/16	2650/3000	2.52/2.83	89/100	6.00/7.60	0.24/0.30	46/48
CS12038-115HP	Sleeve										
CB12038-230HP	Ball	230	50/60	135/110	22/19	2650/3000	2.52/2.83	89/100	6.00/7.60	0.24/0.30	46/48
CS12038-230HP	Sleeve										

Dimensions (mm)



Performance Curve

