



SIZE :

225x225x80mm (8.86"x8.86"x3.15")

CONSTRUCTION :

- Die-cast aluminum housing
- Metal impeller
- Capacitor-start motor
- Impedance protected
- Leader wire available

OPERATING TEMPERATURE :

Ball bearing - 30°C to +75°C

*Minimum ambient temperature -15°C , admissible for a short time at -30°C ; without reaching dew point.

WEIGHT :

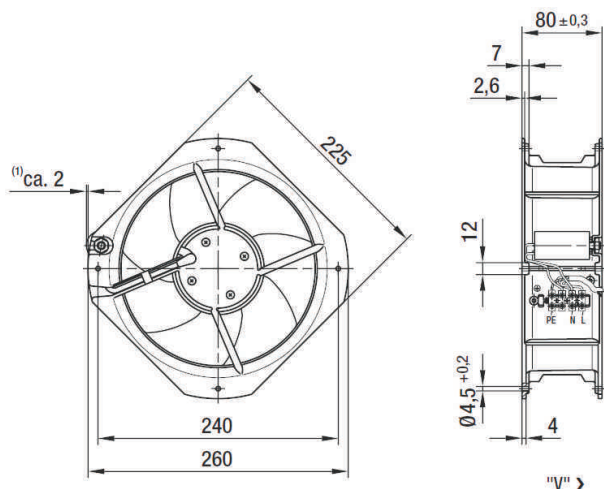
2500 grams

Specifications

Specifications are subject to change without notice

MODEL NO.	BEARING	RATED VOLTAGE	FREQUENCY	MAX. RATED CURRENT	MAX. INPUT POWER	SPEED	MAX. AIR FLOW		MAX. AIR PRESSURE		NOISE
		VAC	Hz	mA	W		R.P.M.	m ³ /min	CFM	mmH ₂ O	
CB22580-110E	Ball	110	50	700	75	2600	17	600	16.32	0.64	60
CB22580-220E	Ball	220	50	350	75	2600	17	600	16.32	0.64	60
CB22580-380E	Ball	380	50	250	75	2600	17	600	16.32	0.64	60

Dimensions (mm)



Performance Curve

