

Ø38.0×23mm & Ø40.8×48mm

CONSTRUCTION:

RMB SERIES

- Plastic base
- Metal rotor

QMB STRIES

- Aluminum base
- Metal rotor



OPERATING TEMPERATURE:

Ball bearing -30°C to +75°C

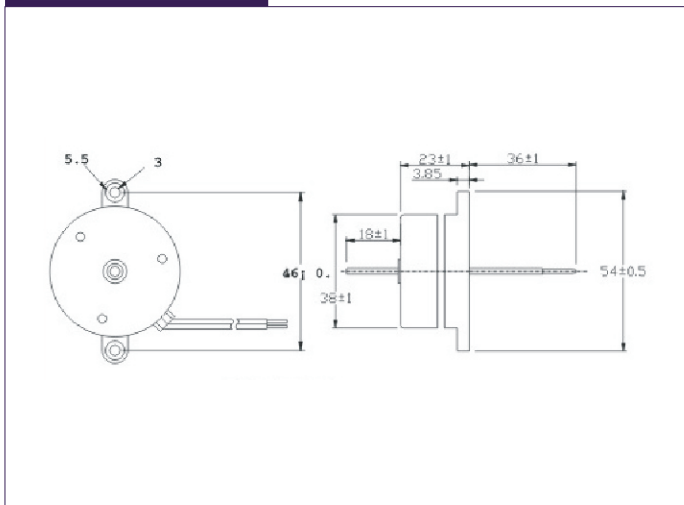
INSULATION RESISTANCE:

10 meg Ohm min.at 500 VDC
(between frame and terminal)

DIELECTRIC STRENGTH:

5 mA max.at 500 VAC 60Hz one minute
(between frame and terminal)

Dimensions (mm)



Specifications

MODEL NO.	BEARING	RATED VOLTAGE	OPERATING VOLTAGE RANGE	RATED CURRENT	RATED INPUT POWER	SPEED	Weight	Size
		VDC	V	A	W	R.P.M.	gram	
RMB0112B	BALL	12	10.2~13.8	0.08	0.96	4000	60	φ38.0mm×23mm(φ1.49" ×0.90")
QMB-12	BALL	12	10.2~13.8	0.07	0.84	2600	115	φ40.8mm×48mm(φ1.61" ×1.89")
QMB-24	BALL	24	20.4~27.6	0.1	2.4	5800	115	φ40.8mm×48mm(φ1.61" ×1.89")
QMB-48	BALL	48	40.8~55.2	0.11	5.28	6200	115	φ40.8mm×48mm(φ1.61" ×1.89")

Specifications are subject to change without notice. Please visit our web site at <http://www.centron-fan.com>