



CONSTRUCTION:

- Plastic base
- Metal rotor

OPERATING TEMPERATURE:

Ball bearing -30°C to +75°C

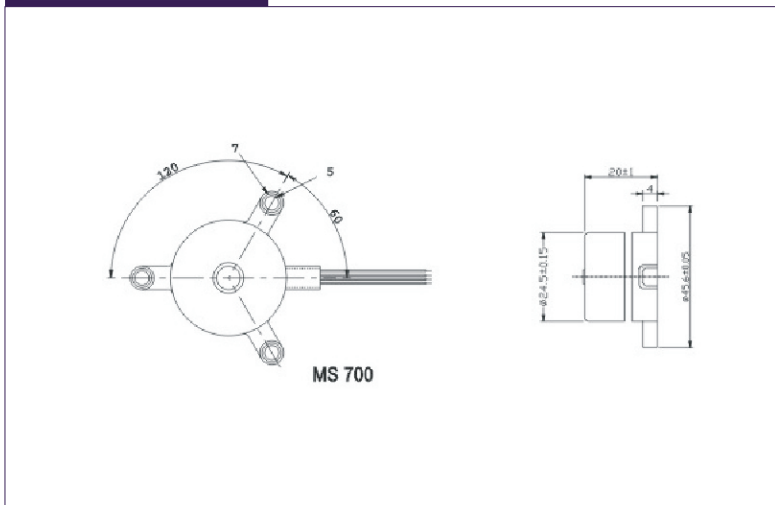
INSULATION RESISTANCE:

10 meg Ohm min.at 500 VDC
(between frame and terminal)

DIELECTRIC STRENGTH:

5 mA max.at 500 VAC 60Hz one minute
(between frame and terminal)

Dimensions (mm)



Specifications

MODEL NO.	BEARING	RATED	OPERATING	RATED	RATED	SPEED	Weight	Size
		VOLTAGE	VOLTAGE	CURRENT	INPUT			
		VDC	RANGE	A	POWER	R.P.M.	gram	
MS-700	BALL	12	10.2~13.8	0.16	1.92	10500	25	φ24.5mm×20mm(φ0.96 " ×0.79 ")
MS-800	BALL	12	10.2~13.8	0.11	1.32	5000	60	φ38.0mm×23mm(φ1.49 " ×0.9 ")
MS-6700	BALL	5	4.25~5.70	0.05	0.25	5000	25	φ24.5mm×20mm(φ0.96 " ×0.79 ")
MS-7200	BALL	5	4.25~5.70	0.16	0.55	10500	25	φ24.5mm×25mm(φ0.96 " ×0.98 ")

Specifications are subject to change without notice. Please visit our web site at <http://www.centron-fan.com>