

C8025P SERIES



SIZE :

80x80x25mm (3.15"x3.15"x0.98")

CONSTRUCTION :

- Die-cast aluminum housing
- Glass fiber reinforced plastic:
Impeller are UL 94V-0 rating
- Impedance protected
- Leader wire or Terminal is available

OPERATING TEMPERATURE :

Ball bearing -30°C to +75°C

*Minimum ambient temperature -15°C, admissible for a short time at -30°C ; without reaching dew point.

Sleeve bearing -10°C to +60°C

WEIGHT :

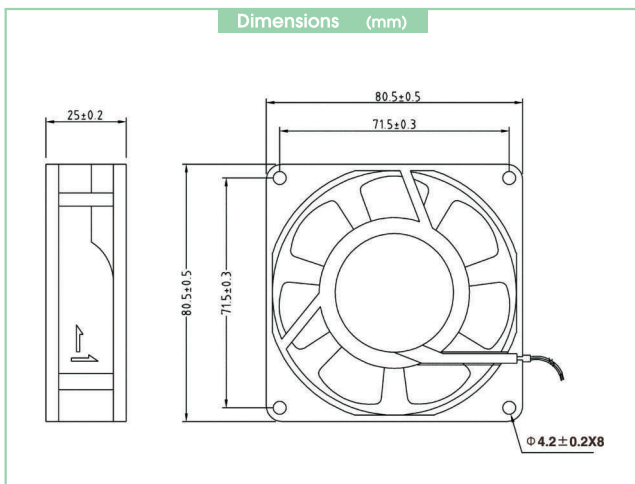
260 grams

Specifications

Specifications are subject to change without notice

MODEL NO.	BEARING	RATED VOLTAGE	FREQUENCY	MAX. RATED CURRENT	MAX. INPUT POWER	SPEED	MAX. AIR FLOW		MAX. AIR PRESSURE		NOISE
		VAC	Hz	mA	W	R.P.M.	m ³ /min	CFM	mmH ₂ O	IN H ₂ O	
CB8025-115HP	Ball	115	50/60	150/140	16/14	2500/3000	0.59/0.68	21/24	2.12/3.19	0.09/0.13	30/35
CS8025-115HP	Sleeve										
CB8025-230HP	Ball	230	50/60	95/85	18/16	2500/3000	0.59/0.68	21/24	2.12/3.19	0.09/0.13	30/35
CS8025-230HP	Sleeve										

Dimensions (mm)



Performance Curve

