

CB17055E SERIES



SIZE :

170x150x55mm (6.69"x5.91"x2.17")

CONSTRUCTION :

- Die-cast aluminum housing
- Metal impeller
- Shaded pole motor
- Impedance protected
- Leader wire available

OPERATING TEMPERATURE :

Ball bearing - 30°C to +80°C (Standard Type)
 - 30°C to +90°C (H Type)

*Minimum ambient temperature -15°C , admissible for a short time at -30°C , without reaching dew point.

WEIGHT :

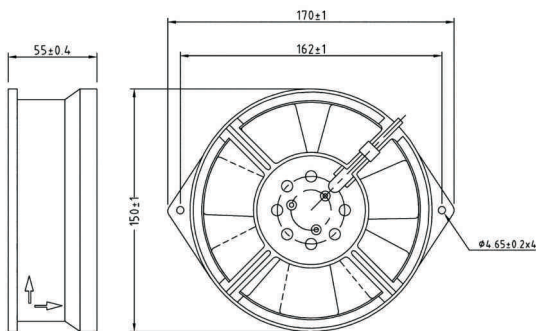
1000 grams

Specifications

Specifications are subject to change without notice

MODEL NO.	BEARING	RATED VOLTAGE	FREQUENCY	MAX. RATED CURRENT	MAX. INPUT POWER	SPEED	MAX. AIR FLOW		MAX. AIR PRESSURE		NOISE
		VAC	Hz	mA	W	R.P.M.	m ³ /min	CFM	mmH ₂ O	IN H ₂ O	
CB17055-115E	Ball	115	50/60	640/540	48/46	2750/3100	5.66/6.79	200/240	12.30/13.70	0.48/0.54	50/53
CB17055-230E	Ball	230	50/60	300/280	46/44	2750/3100	5.66/6.79	200/240	12.30/13.70	0.48/0.54	50/53
CB17055-380E	Ball	380	50/60	300/280	46/44	2750/3100	5.66/6.79	200/240	12.30/13.70	0.48/0.54	50/53

Dimensions (mm)



Performance Curve

