

## C16060P SERIES



### SIZE :

160\*160\*62mm

### CONSTRUCTION :

- Die-cast aluminum housing
- Glass fiber reinforced plastic:  
Impeller are UL 94V-0 rating
- Impedance protected
- Leader wire or terminal is available

### OPERATING TEMPERATURE :

Ball bearing -30°C to +75°C

\*Minimum ambient temperature -15°C, admissible for a short time at -30°C ; without reaching dew point.

Sleeve bearing -10°C to +60°C

### WEIGHT :

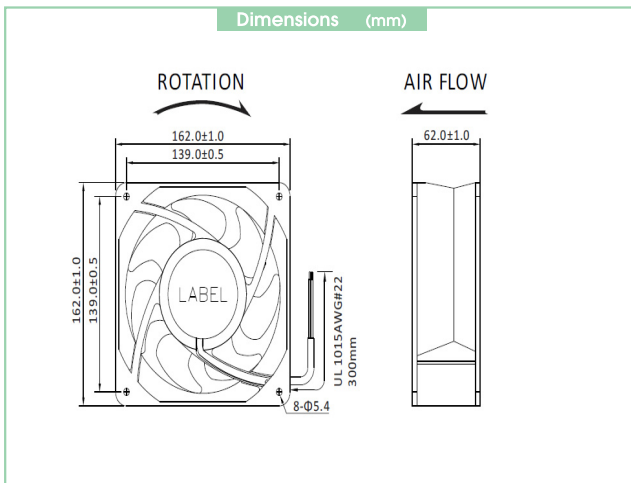
1200 grams

## Specifications

Specifications are subject to change without notice

MODEL NO.	BEARING	RATED VOLTAGE	FREQUENCY	MAX. RATED CURRENT	MAX. INPUT POWER	SPEED	MAX. AIR FLOW	MAX. AIR PRESSURE	NOISE
		VAC	Hz	mA	W	R.P.M.	CFM	IN H <sub>2</sub> O	dB-A
CB16060 -115MP	Ball	115	50/60	380/400	42/44	2300/2600	220/255	0.62/0.70	50/54
CS16060 -115MP	Sleeve								
CB16060 -230MP	Ball	230	50/60	380/400	42/44	2300/2600	220/255	0.62/0.70	50/54
CS16060 -230MP	Sleeve								
CB16060 -115HP	Ball	115	50/60	400/420	44/46	2600/3000	255/295	0.70/0.85	54/59
CS16060 -115HP	Sleeve								
CB16060 -230HP	Ball	230	50/60	400/420	44/46	2600/3000	255/295	0.70/0.85	54/59
CS16060 -230HP	Sleeve								

Dimensions (mm)



Performance Curve

