

9733 BLOWER SERIES



SIZE :

97x97x33mm (3.82"x3.82"x0.39")

CONSTRUCTION :

Glass fiber reinforced plastic:

Impeller and housing PBT are UL 94V-0 rating

OPERATING TEMPERATURE :

Ball bearing - 30°C to + 75°C

*Minimum ambient temperature -15°C , admissible for a short time at -30°C ; without reaching dew point.

Sleeve bearing - 10°C to + 60°C

FUNCTION :

frequency generator or rotation detection signal option

WEIGHT :

164 grams

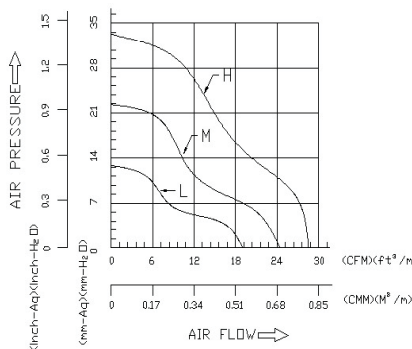
Specifications

Specifications are subject to change without notice

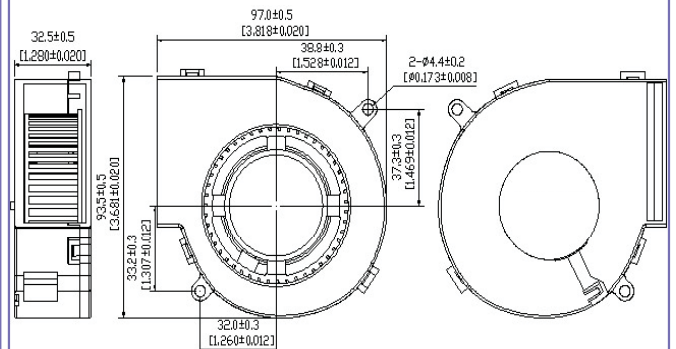
MODEL NO.	BEARING	RATED VOLTAGE	RATED CURRENT	RATED INPUT POWER	SPEED R.P.M.	MAX. AIR FLOW		MAX. AIR PRESSURE		NOISE dB-A
		VDC	A	W		m ³ min	CFM	mmH ₂ O	IN H ₂ O	
CB973312L	Ball	12	0.12	1.44	1500	0.309	10.91	3.73	0.147	33.00
CS973312L	Sleeve									
CB973312M	Ball	12	0.65	7.80	3000	0.689	24.35	22.17	0.873	53.20
CS973312M	Sleeve									
CB973312H	Ball	12	1.05	12.60	3500	0.798	28.18	33.03	1.301	58.60
CS973312H	Sleeve									
CB973324L	Ball	24	0.08	1.92	1500	0.309	10.91	3.73	0.147	33.00
CS973324L	Sleeve									
CB973324M	Ball	24	0.40	9.60	3000	0.689	24.35	22.17	0.873	53.20
CS973324M	Sleeve									
CB973324H	Ball	24	0.58	13.92	3500	0.798	28.18	33.03	1.301	58.60
CS973324H	Sleeve									
CB973348L	Ball	48	0.06	2.88	1500	0.309	10.91	3.73	0.147	33.00
CS973348L	Sleeve									
CB973348M	Ball	48	0.22	10.56	3000	0.689	24.35	22.17	0.873	53.20
CS973348M	Sleeve									
CB973348H	Ball	48	0.35	16.80	3500	0.798	28.18	33.03	1.301	58.60
CS973348H	Sleeve									

*Long life bearing is available

Performance Curve



Dimensions (mm)



(Unit:mm[inch])