

C12038 AXIAL SERIES

DC COOLING FAN



SIZE :

120x120x38mm (4.72"x4.72"x1.50")

CONSTRUCTION :

Glass fiber reinforced plastic:

Impeller and housing PBT are UL 94V-0 rating

OPERATING TEMPERATURE :

Ball bearing -30°C to +75°C

*Minimum ambient temperature -15°C , admissible for a short time at -30°C ; without reaching dew point.

Sleeve bearing -10°C to +60°C

FUNCTION :

auto-restart option

frequency generator or rotation detection signal option

WEIGHT :

320 grams

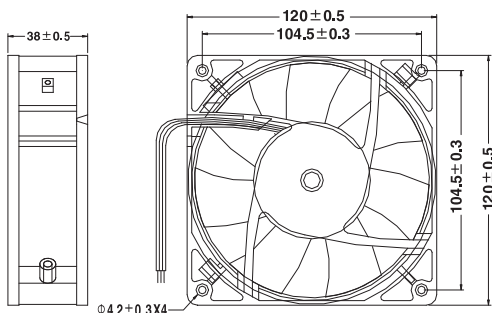
Specifications

Specifications are subject to change without notice

MODEL NO.	BEARING	RATED	RATED	RATED INPUT POWER	SPEED	MAX. AIR FLOW		MAX. AIR PRESSURE		NOISE
		VOLTAGE	CURRENT			m³/min	CFM	mmH₂O	IN H₂O	
		VDC	A	W	R.P.M.					dB-A
CB1203812L	Ball	12	0.50	6.00	2000	3.415	120.59	6.09	0.240	39.10
CB1203812M	Ball	12	1.50	18.00	3200	5.227	184.59	14.32	0.564	52.50
CB1203812H	Ball	12	2.80	33.60	4200	7.041	248.65	24.26	0.955	60.80
CB1203824L	Ball	24	0.30	7.20	2000	3.415	120.59	6.09	0.240	39.10
CB1203824M	Ball	24	0.70	16.80	3200	5.227	184.59	14.32	0.564	52.50
CB1203824H	Ball	24	1.20	28.80	4200	7.041	248.65	24.26	0.955	60.80
CB1203848L	Ball	48	0.20	9.60	2000	3.415	120.59	6.09	0.24	39.10
CB1203848M	Ball	48	0.50	24.00	3200	5.227	184.59	14.32	0.56	52.55
CB1203848H	Ball	48	0.70	33.60	4200	7.041	248.65	24.26	0.955	60.80

*Long life bearing is available

Performance Curve



Dimensions (mm)

