

C4020 AXIAL SERIES



SIZE :

40x40x20mm (1.57"x1.57"x0.39")

CONSTRUCTION :

Glass fiber reinforced plastic:

Impeller and housing PBT are UL 94V-0 rati

OPERATING TEMPERATURE :

Ball bearing - 30°C to + 75°C

*Minimum ambient temperature -15°C , admissible for a short time at -30°C ; without reaching dew point.

Sleeve bearing - 10°Cto + 60°C

FUNCTION :

auto-restart option

frequency generator or rotation detection signal option

WEIGHT :

23 grams

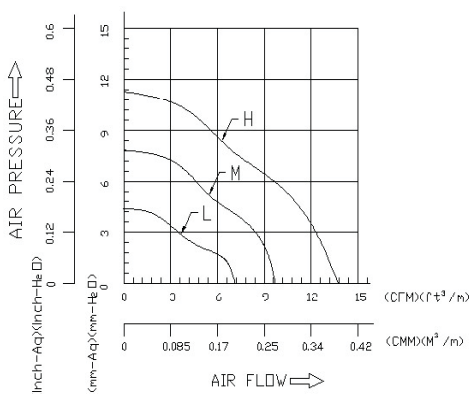
Specifications

Specifications are subject to change without notice

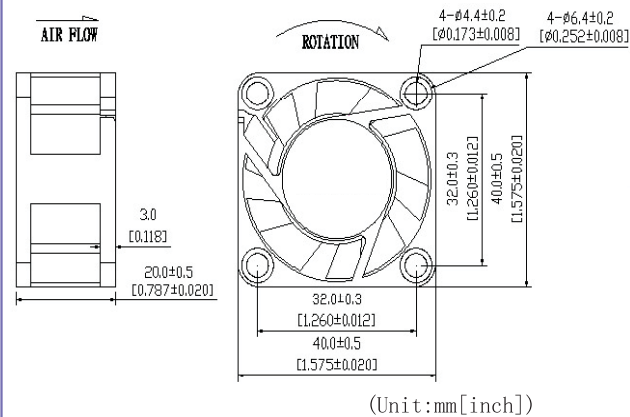
MODEL NO.	BEARING	RATED VOLTAGE	RATED CURRENT	RATED INPUT POWER	SPEED R.P.M.	MAX. AIR FLOW		MAX. AIR PRESSURE		NOISE dB-A
		VDC	A	W		m³min	CFM	mmH ₂ O	IN H ₂ O	
CB402005L	Ball	5	0.14	0.70	5000	0.166	5.87	3.15	0.124	21.3
CS402005L	Sleeve									
CB402005M	Ball	5	0.22	1.10	7000	0.240	8.47	6.06	0.239	27.2
CS402005M	Sleeve									
CB402005H	Ball	5	0.32	1.60	9000	0.309	10.9	9.79	0.385	34.9
CS402005H	Sleeve									
CB402012L	Ball	12	0.08	0.96	5000	0.166	5.87	3.15	0.124	21.3
CS402012L	Sleeve									
CB402012M	Ball	12	0.15	1.80	7000	0.240	8.47	6.06	0.239	27.2
CS402012M	Sleeve									
CB402012H	Ball	12	0.28	3.36	9000	0.309	10.9	9.79	0.385	34.9
CS402012H	Sleeve									
CB402024L	Ball	24	0.06	1.44	6000	0.199	7.04	4.45	0.175	24.3
CS402024L	Sleeve									
CB402024M	Ball	24	0.08	1.92	7000	0.240	8.47	6.06	0.239	27.2
CS402024M	Sleeve									
CB402024H	Ball	24	0.15	3.60	9000	0.309	10.9	9.79	0.385	34.9
CS402024H	Sleeve									

*Long life bearing is available

Performance Curve



Dimensions (mm)



(Unit:mm[inch])