

CB9238E SERIES



SIZE :

92x92x38mm (3.62"x3.62"x1.50")

CONSTRUCTION :

- All metal
- Die-cast aluminum housing
- Metal impeller
- Shaded pole motor
- Impedance protected
- Leader wire available

OPERATING TEMPERATURE :

Ball bearing - 30°C to +75°C (Standard Type)
 - 30°C to +85°C (F Type)
 - 30°C to +90°C (H Type)

*Minimum ambient temperature -15°C ; admissible for a short time at -30°C ; without reaching dew point.

Sleeve bearing - 10°C to +60°C (Standard Type)

WEIGHT :

470 grams

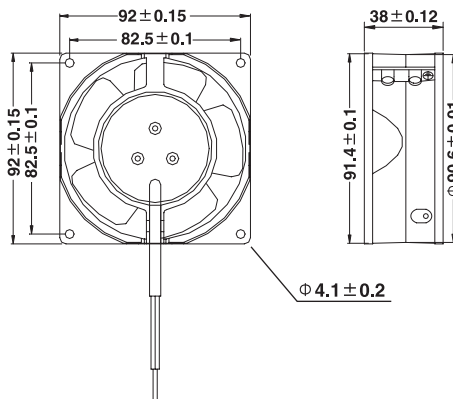
Specifications

Specifications are subject to change without notice

MODEL NO.	BEARING	RATED VOLTAGE	FREQUENCY	MAX. RATED CURRENT	MAX. INPUT POWER	SPEED	MAX. AIR FLOW		MAX. AIR PRESSURE		NOISE
		VAC	Hz	mA	W	R.P.M.	m ³ /min	CFM	mmH ₂ O	IN H ₂ O	dB-A
CB9238-115HB	Ball	115	50/60	250/240	16/14	2600/3000	1.33/1.56	47/55	5.4/6.9	0.21/0.27	38/43
CS9238-115HB	Sleeve										
CB9238-230HB	Ball	230	50/60	150/140	16/14	2600/3000	1.33/1.56	47/55	5.4/6.9	0.21/0.27	38/43
CS9238-230HB	Sleeve										

*High Temperature Type is available

Dimensions (mm)



Performance Curve

