

## C8038 AXIAL SERIES



**SIZE :**

80x80x38mm (3.15"x3.15"x1.50")

**CONSTRUCTION :**

Glass fiber reinforced plastic:

Impeller and housing PBT are UL 94V-0 rating

**OPERATING TEMPERATURE :**

Ball bearing - 30°C to + 75°C

\*Minimum ambient temperature -15°C , admissible for a short time at -30°C : without reaching dew point.

Sleeve bearing - 10°C to + 60°C

**FUNCTION :**

auto-restart option

frequency generator or rotation detection signal option

**WEIGHT :**

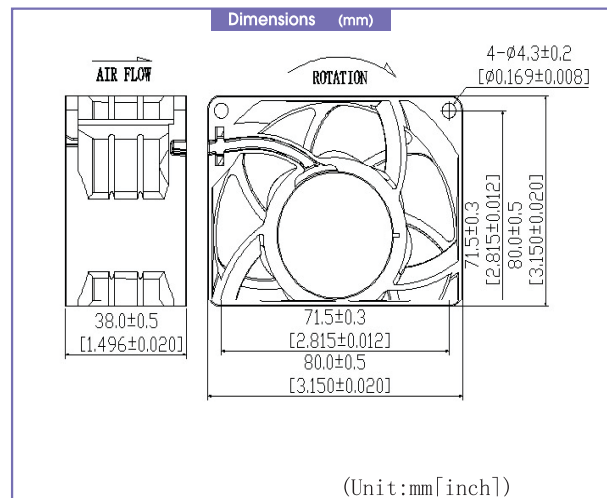
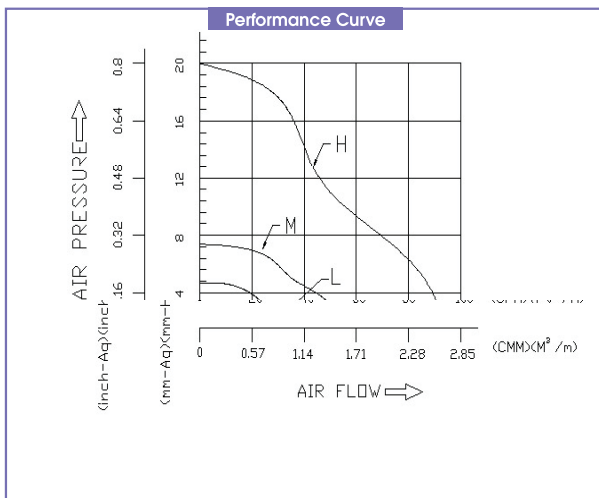
160 grams

### Specifications

Specifications are subject to change without notice

MODEL NO.	BEARING	RATED VOLTAGE	RATED CURRENT	RATED INPUT POWER	SPEED R.P.M.	MAX. AIR FLOW		MAX. AIR PRESSURE		NOISE dB-A
		VDC	A	W		m³/min	CFM	mmH <sub>2</sub> O	IN H <sub>2</sub> O	
CB803812L	Ball	12	0.20	2.40	2600	1.246	44.01	4.64	0.183	37.60
CS803812L	Sleeve									
CB803812M	Ball	12	0.35	4.20	3400	1.568	55.37	7.71	0.304	43.40
CS803812M	Sleeve									
CB803812H	Ball	12	0.60	7.20	4200	2.012	71.07	11.72	0.461	49.50
CS803812H	Sleeve									
CB803824L	Ball	24	0.15	3.60	2600	1.246	44.01	4.64	0.183	37.60
CS803824L	Sleeve									
CB803824M	Ball	24	0.25	6.00	3400	1.568	66.37	7.71	0.304	43.40
CS803824M	Sleeve									
CB803824H	Ball	24	0.45	10.80	4200	2.012	71.07	11.72	0.461	49.50
CS803824H	Sleeve									
CB803848L	Ball	48	0.10	4.80	2600	2.146	44.01	4.64	0.183	37.60
CS803848L	Sleeve									
CB803848M	Ball	48	0.15	7.20	3400	1.568	55.37	7.71	0.304	43.40
CS803848M	Sleeve									
CB803848H	Ball	48	0.25	12.00	4200	2.012	71.07	11.72	0.461	49.50
CS803848H	Sleeve									

\*Long life bearing is available



(Unit:mm[inch])