

C6010 AXIAL SERIES



SIZE :

60x60x10mm (2.36"x2.36"x0.39")

CONSTRUCTION :

Glass fiber reinforced plastic:

Impeller and housing PBT are UL 94V-0 rating

OPERATING TEMPERATURE :

Ball bearing - 30°C to + 75°C

*Minimum ambient temperature -15°C , admissible for a short time at -30°C ; without reaching dew point.

Sleeve bearing - 10°C to + 60°C

FUNCTION :

auto-restart option

frequency generator signal option

WEIGHT :

25.3 grams

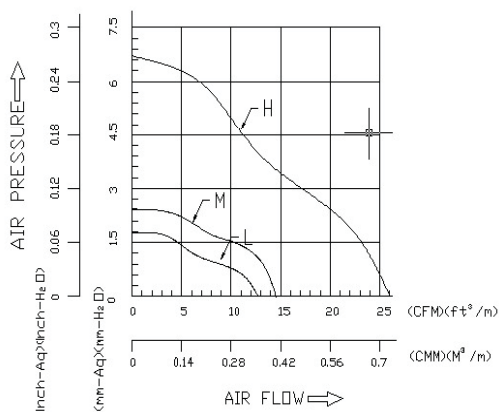
Specifications

Specifications are subject to change without notice

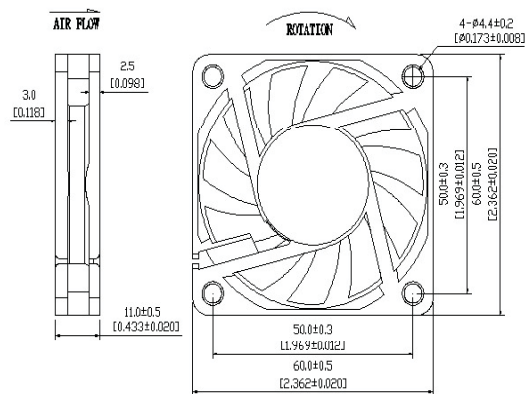
MODEL NO.	BEARING	RATED VOLTAGE	RATED CURRENT	RATED INPUT POWER	SPEED R.P.M.	MAX. AIR FLOW		MAX. AIR PRESSURE		NOISE dB-A
		VDC	A	W		m ³ min	CFM	mmH ₂ O	IN H ₂ O	
CB601005L	Ball	5	0.35	1.75	3000	0.357	12.62	1.72	0.068	26.1
CS601005L	Sleeve									
CB601005M	Ball	5	0.45	2.25	3600	0.409	14.46	2.50	0.099	30.9
CS601005M	Sleeve									
CB601005H	Ball	5	0.55	2.75	4200	0.489	17.28	3.46	0.136	35.2
CS601005H	Sleeve									
CB601012L	Ball	12	0.15	1.80	3000	0.357	12.62	1.72	0.068	26.1
CS601012L	Sleeve									
CB601012M	Ball	12	0.20	2.40	3600	0.409	14.46	2.50	0.099	30.9
CS601012M	Sleeve									
CB601012H	Ball	12	0.25	3.00	4200	0.489	17.28	3.46	0.136	35.2
CS601012H	Sleeve									
CB601024L	Ball	24	0.10	2.40	3000	0.357	12.62	1.72	0.068	26.1
CS601024L	Sleeve									
CB601024M	Ball	24	0.13	3.12	3600	0.409	14.46	2.50	0.099	30.9
CS601024M	Sleeve									
CB601024H	Ball	24	0.16	3.84	4200	0.489	17.28	3.46	0.136	35.2
CS601024H	Sleeve									

*Long life bearing is available

Performance Curve



Dimensions (mm)



(Unit:mm [inch])